

Accessories for emergency pull-wire switches

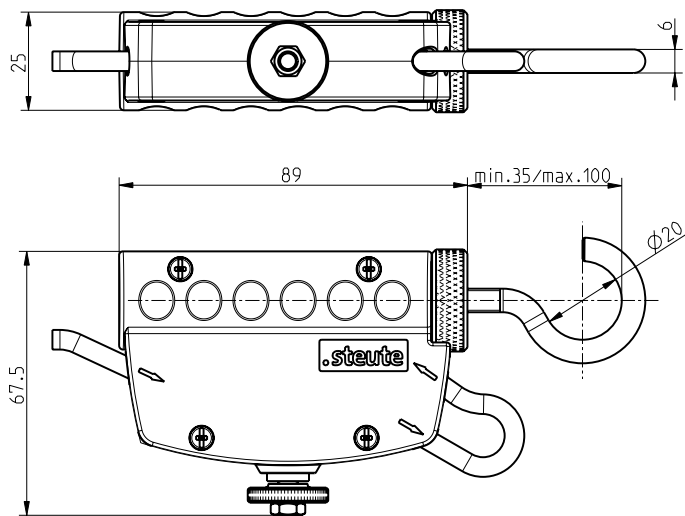
Cable Tensioner System TS 65

Material number: 1186621 (Material number old: 04.71.7101)

Features/Options:

- Only one tool
- Injury-free
- Ergonomically designed
- Easy to adjust
- Non-slip
- Time-saving
- Ordering unit: 1 piece

Dimensions



Technical data

| | |
|------------------------|---|
| Enclosure | thermoplastic |
| Tension bolt | stainless steel 1.4305 |
| Setting range | max. 65 mm |
| Rope diameter | 4 - 6 mm (wire rope with thermoplastic coating) |
| Required pull diameter | min. 8 mm |
| Max. wire length | 130 m |
| Weight | 130 g |

Errors and omissions excepted.